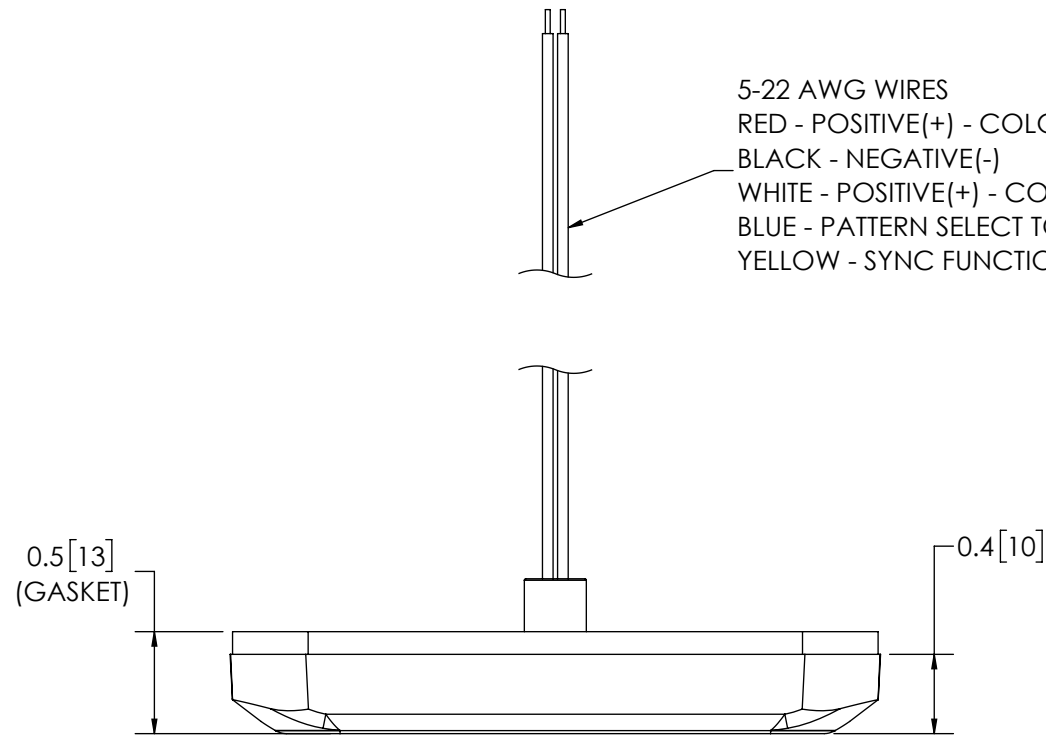
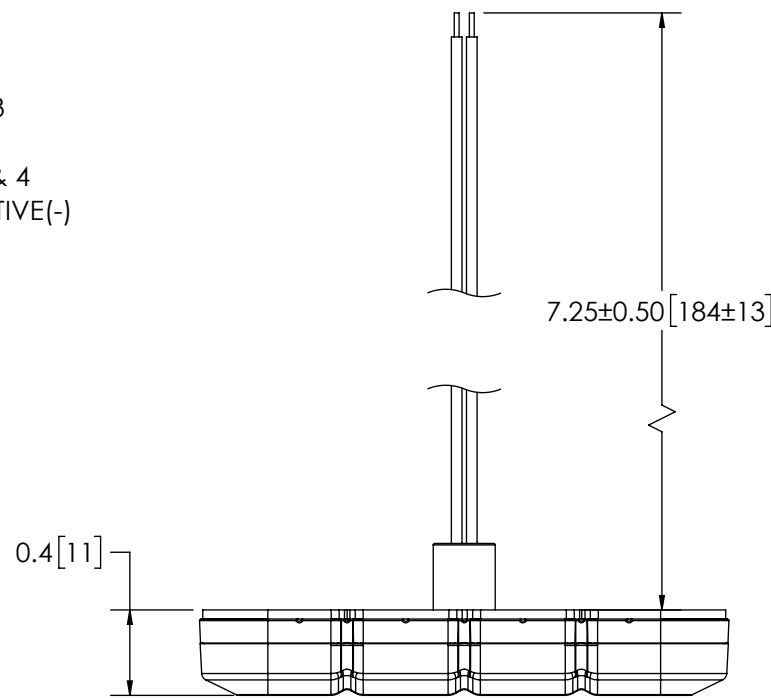


REVISION HISTORY		
REV.	DESCRIPTION	DATE
03	REVISED PER EP0159	2022-11-22
04	REVISED PER EP0159	2022-12-06
A	INITIAL RELEASE PER EP0159	2023-01-23

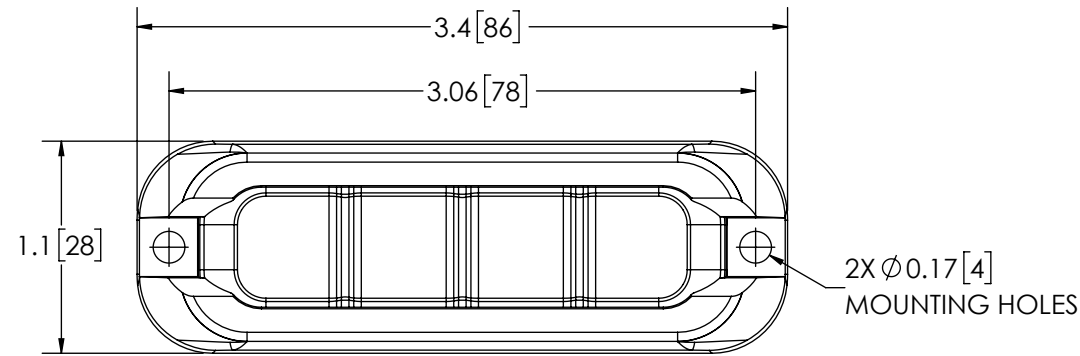
5-22 AWG WIRES  
 RED - POSITIVE(+) - COLORS 1 & 3  
 BLACK - NEGATIVE(-)  
 WHITE - POSITIVE(+) - COLORS 2 & 4  
 BLUE - PATTERN SELECT TO NEGATIVE(-)  
 YELLOW - SYNC FUNCTION



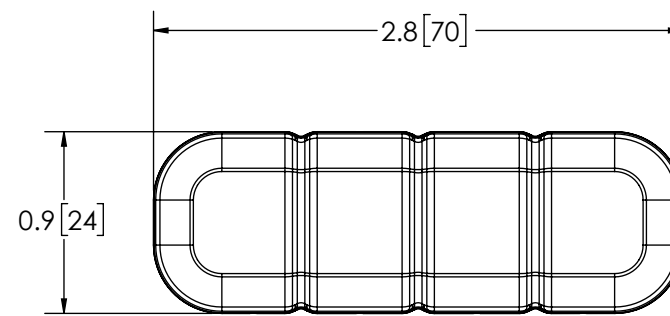
**TOP VIEW**



**TOP VIEW - NO BEZEL**



**FRONT VIEW**



**FRONT VIEW - NO BEZEL**

**SPECIFICATIONS**

- CERTIFICATIONS: **CE**; ECE R10; SAE J595 (AUG 2021) CLASS 1; YELLOW, WHITE CA Title 13 (SEE CHART); IP67/IP69K  
 Note: Unique components, accessories, and hardware kits are not typically included in the Product Certification Test Protocols. Unless otherwise Specified, the Product Certifications referred to herein are predicated upon the base product model configuration.
- FLASH MODE: SINGLE : 75 ± 5 FLASHES PER MINUTE  
 SINGLE : 120 ± 5 FLASHES PER MINUTE  
 SINGLE : 375 ± 5 FLASHES PER MINUTE
- VOLTAGE (NOMINAL): 12-24 VDC
- VOLTAGE (EXTREME): 9-32 VDC
- CURRENT (PEAK): 0.4A (@ 12 VDC NOMINAL)
- POWER (MAXIMUM): 5.1W (@ 12 VDC NOMINAL)
- TEMPERATURE RANGE: -40°F (-40°C) TO 149°F (65°C)
- CONNECTION: 5 - 22 AWG WIRES
- MOUNTING: ADHESIVE OR SCREW MOUNT
- BASE MATERIAL: SILICONE
- LENS MATERIAL: SILICONE
- PRODUCT WEIGHT: 0.07 LBS (0.03 Kg)


FGS. PRODUCT CHART		
FGS. NO.	COLOR	TITLE 13
ED3793AW	AMB/WHT	CLASS B; AMB
ED3793BA	BLU/AMB	CLASS B; BLU, AMB
ED3793BW	BLU/WHT	CLASS B; BLU
ED3793RA	RED/AMB	CLASS B; RED, AMB

DISCLAIMER  
 DIMENSIONS, ILLUSTRATIONS, SPECIFICATIONS, AND CERTIFICATIONS CONTAINED IN THIS DOCUMENT ARE TYPICAL OF THE ACTUAL PRODUCT AND ARE SUBJECT TO CHANGE.  
 ECCO ENGINEERING DOES NOT MAINTAIN FORMAL DESIGN CONTROL OF THIS PRODUCT.

MOUNTING DISCLAIMER  
 MOUNTING MEASUREMENT IS FOR REFERENCE ONLY. MEASURE BEFORE DRILLING.

- NOTES:
- ROHS COMPLIANT
  - DIMENSIONS IN INCHES[MILLIMETERS (FOR REFERENCE)]

PROPRIETARY AND CONFIDENTIAL INFORMATION  
 THIS DRAWING AND THE DESIGN AND OTHER INFORMATION DISCLOSED HEREIN ARE THE PROPERTY OF ELECTRONIC CONTROLS COMPANY AND/OR ITS ECCO SAFETY GROUP AFFILIATES ("ECCO") AND IS ISSUED IN CONFIDENCE TO RECIPIENT FOR ENGINEERING INFORMATION PURPOSES ONLY. THIS DRAWING AND THE DESIGN AND OTHER INFORMATION DISCLOSED HEREIN MAY NOT BE USED, COPIED, REPRODUCED OR OTHERWISE DISCLOSED IN PART OR IN WHOLE TO THIRD PARTIES OR USED FOR ANY OTHER PURPOSE WITHOUT PRIOR ECCO WRITTEN CONSENT. ECCO RESERVES ALL PATENT, COPYRIGHT, TRADEMARK AND OTHER PROPRIETARY RIGHTS TO THIS DOCUMENT, INCLUDING ALL DESIGN, MANUFACTURING, REPRODUCTION, USE AND SALES RIGHTS THEREIN. THIS DRAWING IS SUBJECT TO RECALL BY ECCO AT ANY TIME, AND YOUR POSSESSION AND/OR USE CONSTITUTES ACCEPTANCE OF THESE TERMS. ©2022 ELECTRONIC CONTROLS COMPANY

SCALE 1:1	APPROVALS	DATE	 Americas (800) 635-5900   Europe +44 (0)113 237 5340   Asia Pacific +61 (0)3 63322444											
CAD GENERATED DRAWING DO NOT MANUALLY UPDATE.	DRAWN BY ABD	2022-12-06												
TOLERANCES ARE IN INCHES, AND MILLIMETERS TOLERANCES UNLESS OTHERWISE STATED ARE:	CHECKED BTK	2022-12-08												
<table border="0"> <tr> <td>MILLIMETERS DECIMALS</td> <td>INCHES DECIMALS</td> <td>ANGLES</td> </tr> <tr> <td>XX. ± 1.0mm</td> <td>X.X ± 0.1</td> <td>± 0.5°</td> </tr> <tr> <td>XX.X ± 0.5mm</td> <td>X.XX ± 0.04</td> <td>FRACTIONS</td> </tr> <tr> <td></td> <td>X.XXX ± 0.02</td> <td>± 1/64</td> </tr> </table>	MILLIMETERS DECIMALS	INCHES DECIMALS		ANGLES	XX. ± 1.0mm	X.X ± 0.1	± 0.5°	XX.X ± 0.5mm	X.XX ± 0.04	FRACTIONS		X.XXX ± 0.02	± 1/64	MECH. ENG.
MILLIMETERS DECIMALS	INCHES DECIMALS	ANGLES												
XX. ± 1.0mm	X.X ± 0.1	± 0.5°												
XX.X ± 0.5mm	X.XX ± 0.04	FRACTIONS												
	X.XXX ± 0.02	± 1/64												
	ELEC. ENG.		<b>DIR, 8LED, SM, FLEXIBLE, DC, 12-24V</b> CUSTOMER PART NO. <b>SEE CHART</b>											
	TEST ENG. JRT	2022-12-12	SIZE: B DWG. NO. ED3793XX SHEET 1 OF 1 Project: EP0159 Date Created: 2022-10-21											
	SALES.		REV. A											
THIRD ANGLE PROJECTION			Electronically Controlled Use Latest Copy											